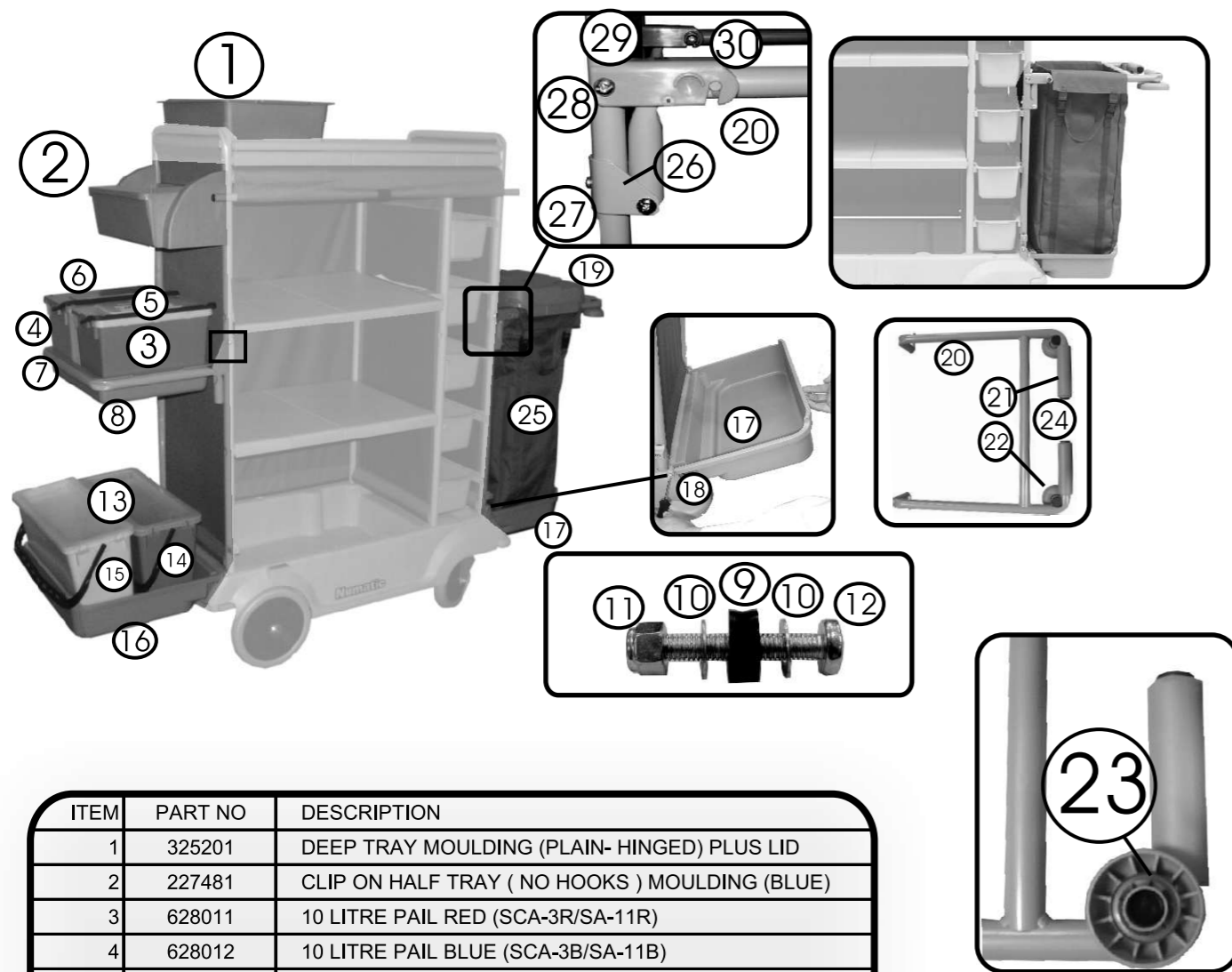


SKAT 21 MOPPING KIT



ITEM	PART NO	DESCRIPTION
1	325201	DEEP TRAY MOULDING (PLAIN- HINGED) PLUS LID
2	227481	CLIP ON HALF TRAY (NO HOOKS) MOULDING (BLUE)
3	628011	10 LITRE PAIL RED (SCA-3R/SA-11R)
4	628012	10 LITRE PAIL BLUE (SCA-3B/SA-11B)
5	628045	SA-13R 10 LITRE BIO BOX LID ONLY
6	628046	SA-13B 10 LITRE BIO BOX LID ONLY BLUE
7	418622	BOX/BAG HOLDER (PNT SILVER)
8	223002	BLUE TRAY
9	206463	HDPE SPACER BLACK
10	219007	WASHER.M6.FORM B.Z/PL
11	219088	NUT.M6.NYLON INSERT.Z/PL
12	219268	M6.35MM LG.POZI-PAN.SCREW.Z/PL
13	223323	15 LITRE BUCKET LID
14	628334	15 LITRE WIDE BUCKET RED
15	629013	15 LITRE WIDE BUCKET BLUE
16	223365	BAG SUPPORT TRAY (LONG)
17	227971	BAG SUPPORT TRAY MOULDING (GREY)
18	219057	M5.25MM LG.POZI-PAN.SCREW.Z/PL
19	338257	3 PIECE LID MOULDING ASSEMBLY (12OL) (GREY)
20	418764	BAG FRAME WELDED ASSEMBLY (PAINTED SILVER)
21	206561	HANDLE GRIP(SHORT)GREY
22	227974	BUFFER MOULDING (SMALL) GREY
23	219841	1 INCH SPIREFIX
24	20637V	25.4MM TUBE END STOP
25	618001	100-LITRE LAUNDRY BAG (SCA-258)
26	418760	LID FRAME MOUNTING BRACKET (PAINT SILVER)
27	219050	M5.16MM LG.POZI-PAN.SCREW.Z/PL
28	219802	M6 CONNECTING SCREW C/W SLEEVE
29	227966	LEFT HAND REVERSE PIVOT CLAMP MOULDING (GREY)
30	227969	RIGHT HAND REVERSE PIVOT CLAMP MOULDING (GREY)